



KWF-Inline

Single filter

- Steel, stainless steel, GRP

PN 10–64
DN 15–1000



ISO 9001:2015

Application areas

The KWF-inline single filter is a versatile implementation filter for liquid, gaseous or pasty media. It is characterized by high-performance, space-saving design as well as an extremely easy and fast cleaning. Inlet flange and outlet flange are at the same height.

Many customized design requirements can be met with this filter type.

Approvals

3.1. Certificate, DGRL/TÜV, GL, LS, DNV, ABS, TR TF/TR CU Certificates (EAC), ASME U-Stamp, Lloyd's Register Type Approval Certificate no. 16/20086



Brief description

In the standard version the filter consists of a welded steel vessel with cover that is fastened through bolts and nuts. Alternatively the filter can be equipped with a basket strainer, ring type strainer insert or cartridges, or bag filters.

Notice:

The compatibility between medium and vessel or sealing material is the responsibility of the operator.

The design of the pressure vessel is based on a quasi-static operation (load cycle number ≤ 1000 according to AD 2000 Merkblatt S1, section 1.4). Max. Differential pressure inlet - outlet 1 bar.

Installation

The filter is installed in piping via flanges. Ensure that the standard version of the filter is installed vertically, tension-free without additional mechanical stress. The medium must flow in the direction specified on the vessel. Incorrect installation can cause filter malfunctions or damage the inserts.

Commissioning/operating instructions

1. Slowly open the inlet/outlet valves.
2. Open the vent until liquid escapes.
3. Close vent.
4. Filter is ready for operation.

Cleaning

Attention: Since this is a pressure vessel, make absolutely sure that the filter is depressurized before starting maintenance tasks. Comply with the safety and accident prevention guidelines required for the medium.

1. Depressurize the filter via vent and drain devices.
2. Loosen the filter closure and take off the cover.
3. Empty the filter via the drain to a level that is at least below the strainer support.
4. Pull the strainer insert upward and out of the filter housing. The strainer can now be cleaned by careful blowing it out or blasting it with compressed air, steam, or water. If necessary the sieve must be soaked and cleaned in a suitable agent. Under some circumstances optimal sieve cleaning is achieved through ultrasonic bath. For all cleaning types ensure that the filter mesh is not damaged.
5. When assembling the filter check the seals for wear, replace them if necessary.
6. If the medium is changed a conformity evaluation in accordance with PED EN 2014/68/EU must be executed.

Materials (standard version)

| | |
|-------------------------------|---|
| Vessel | St. 35.8, P 265 GH, SS321, SS316Ti, Hastelloy, special materials, plastic PE, PP, PVDF, GFK/FRP |
| Filter medium strainer insert | Perforated plate with stainless steel mesh, cartridges, bags |
| Nominal diameter DN | Design pressure PN standard – higher PN on request |
| 15–50 | 10, 16, 25, 64 Filter opening clamp or bolts and nuts |
| 65–100 | 10, 16, 25, 64 Filter opening clamp or bolts and nuts |
| 125–300 | 10, 16, 25 – |
| 300–1000 | 10, 16, 25 – |

On request approval in accordance with DGRL 2014/68/EU, approval in accordance with module G through TÜV.



KWF 1"



KWF DN 150 with jacket heating

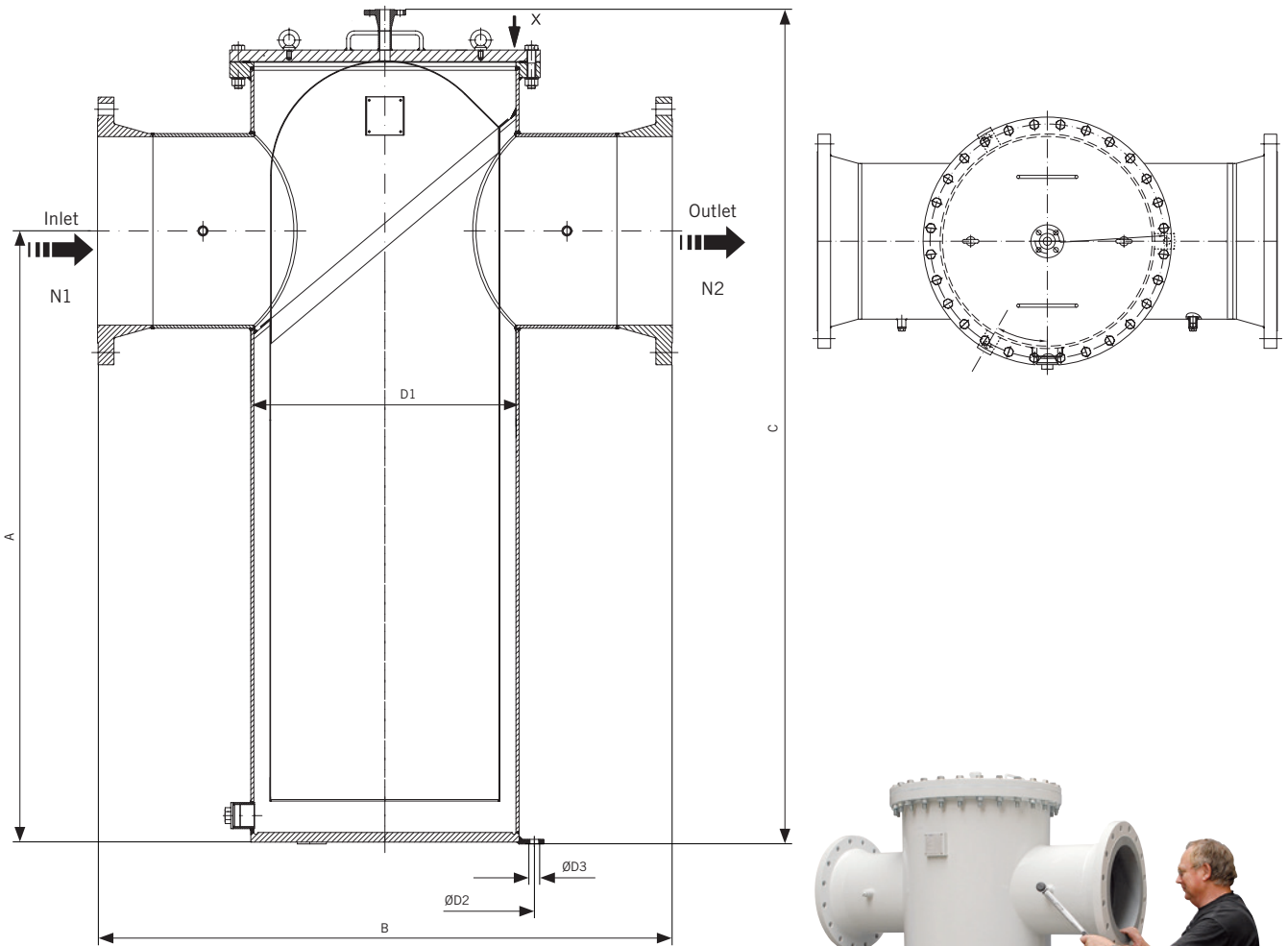


KWF-Inline DN 500



KWF-Inline DN 500 in GRP

Technical data and dimensions



Pict. 1: Standard version KWF-Inline

| DN | PN | ØD1 | ØD2 | ØD3 | D | A | C | B | Volume | Flow rate | Filter surface area approx. | Weight approx. |
|---------|-----|-----|-----|-----|----|----|----|----|-----------------|-------------------|-----------------------------|----------------|
| mm | bar | mm | mm | mm | mm | mm | mm | mm | dm ³ | m ³ /h | cm ² | kg |
| 15-1000 | | | | | | | | | | | | |

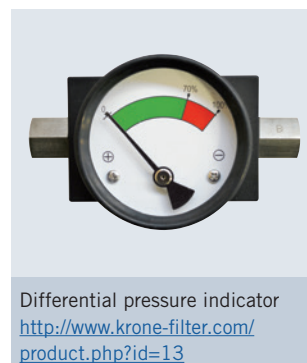
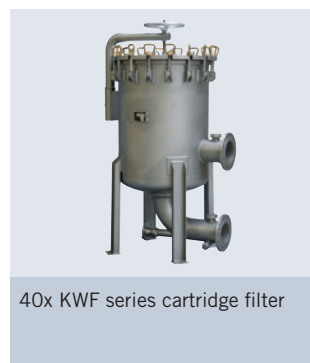
Dimensions on request/on your demand

Technical data

| Technical data | | |
|----------------------------------|--|---|
| | Standard version | Special version or supplemental equipment |
| Filter insert | Basket strainer insert | Ring type strainer, cartridges, filter bags, slot wedge wire, star pleated strainer, multi mantle element |
| Degree of filtration | 10–1000 µm stainless steel mesh; > 1 mm: perforated plate with round perforation | 5 µm, square perforation, braid, cartridges, pleated mesh |
| Filter cover | Bolts and nuts (Pict. 1) | Clamp, quick release cover, david etc. |
| Vent | Screw | Ball valve/Flange |
| Drain | Screw | Ball valve/Flange |
| Connection | Inlet and outlet on same height, flange in accordance with EN 1092-1 11B | As specified by the customer/ANSI/JIS |
| Materials | | |
| Vessel and cover | St 35.8, P 265 GH, SS321, SS316Ti | Various plastics such as PP, PE, PVDF, GFK |
| Cover seal | Asbestos-free flat seal C4400 | O-Ring: NBR, FPM, EPDM, MPO, PTFE |
| Perforated plate/mesh | SS304/SS3161 | SS316Ti/SS316, MS/Bz, Hastelloy C 4, titanium, various plastics |
| Extras | | |
| Supplemental filter | – | Magnetic filter insert |
| Heater | – | Customized heating connection |
| Differential pressure indicator | – | Optical, with electric contacts |
| Surface treatment inside | | |
| Vessel steel | Preservation oil | Corrosion protection paint, epoxy resin, E-CTFE, chemonit 33 rubber lining |
| Vessel stainless steel | Pickled and passivated | Glass-bead blasted, electro-polished |
| Surface treatment outside | | |
| Vessel steel | Epoxy RAL 5010 blue | Epoxy coated, glassflake coated, RAL acc. customer specification |
| Vessel stainless steel | Pickled and passivated | Glass-bead blasted, electro-polished |
| Design/Certification | | |
| | Evaluation of Conformity acc. to DGRL 2014/68/EU | 3.1. Certificate, DGRL/TÜV, GL, LS, DNV, ABS, LR TA type approval, TR TF/TR CU Certificates (EAC) or on request |

Accessory

We produce and deliver additional design and material variants on request.
We solicit your request.



Product range

Self cleaning filter



- KAF® Self cleaning Bernoulli®-filter
- KAF-G
- KAF-S
- KRF Backflush-filter
- KAS Scraper filter

Single filter



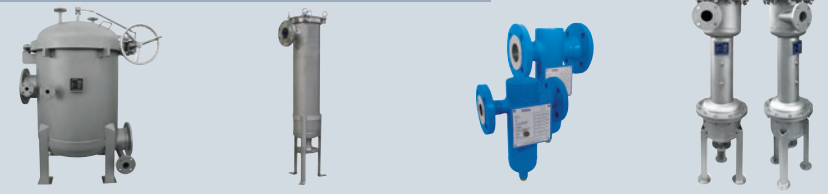
- KSF® Single basket filter (flanged)
- KMF Threaded basket filter
- KWF Welded/custom made basket filter
- KWF-Inline Inlet flange and outlet flange inline

Duplex filter



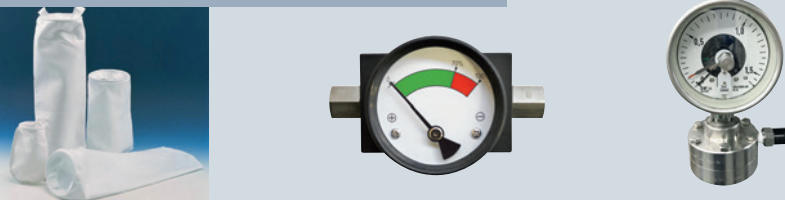
- KDF-K Duplex filter
- KDF-V Valve switch duplex filter
- KDF-VB Butterfly valve switch filter

Other filter solutions



- KBF Bag filter
- KOW Oil and water separator
- KCS Centrifugal separator

Others / accessoires



- DeltaP Differential pressure indicator
- Contaminant level indicator
- Filterbags

Strainer inserts



- Basket strainers
- Ring strainers
- Wedged wire inserts



Krone Filter Solutions GmbH

Industriestrasse 19 | 28876 Oyten/Germany
Phone +49 4207 98769-0 | Fax +49 4207 98769-27
filter@krone-filter.com | www.krone-filter.com
www.shop.krone-filter.com


KRONEFILTER.COM
SOLUTIONS IN FILTRATION